

MASTER
www.master.sklep.pl

Master DH92

schemat

www.master.sklep.pl

kontakt: www.master.sklep.pl/kontakt

DH 92

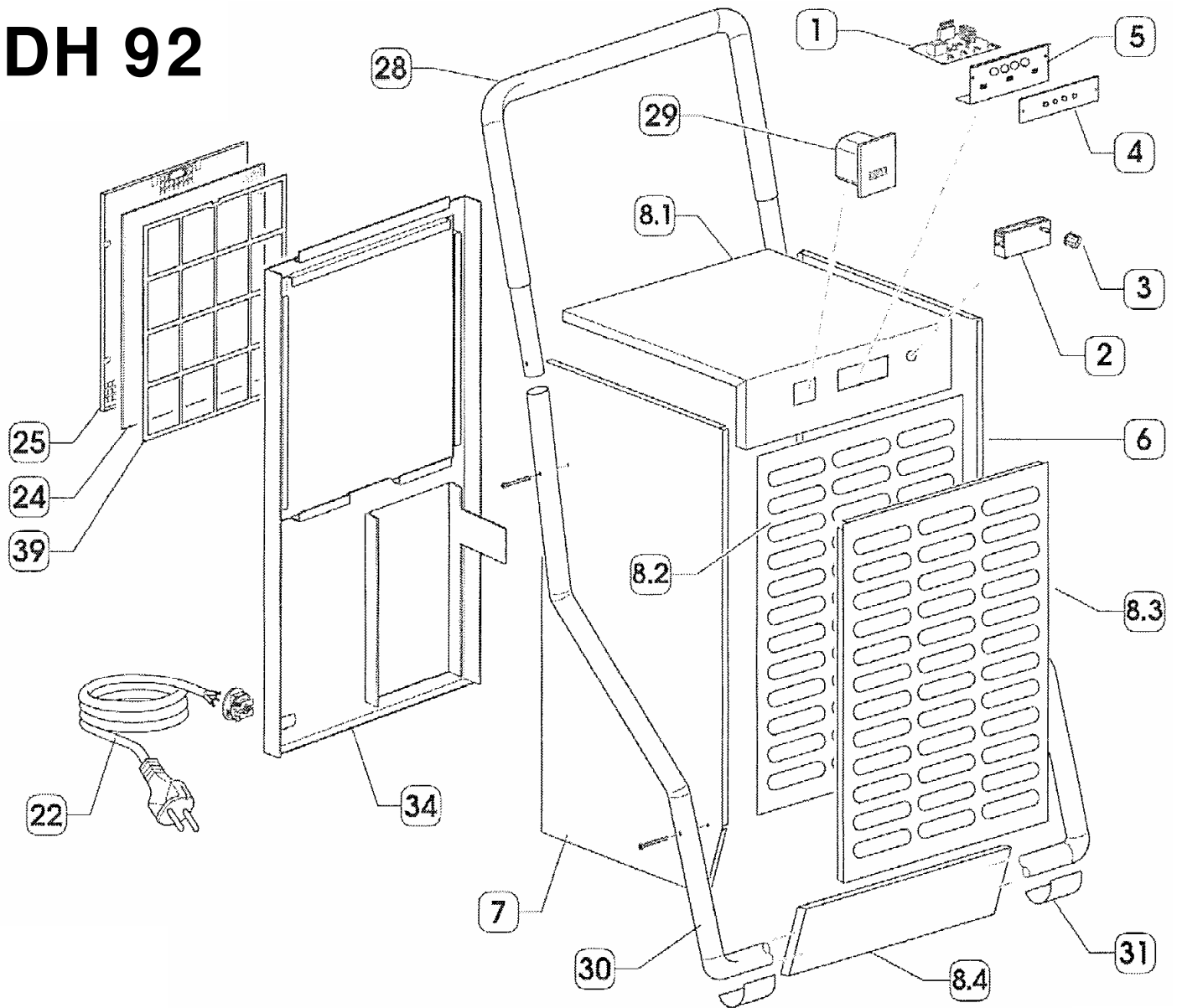


Fig. 1

Pos.	Code	Description	Q-ty
1	4140.201	PC Board	1
2	4140.245	Dehumidostat	1
3	4140.204	Dehumidostat Knob	1
4	4140.205	Control Panel With Cap	1
5	4140.206	Support Pcb	1
6	S/R	Right Panel	1
7	S/R	Left Panel	1
8.1	S/R	Cover	1
8.2	S/R	Inside Grille	1
8.3	S/R	Outside Grille	1
8.4	S/R	Lower Front Panel	1
9	4140.213	Evaporator	2
10	4140.214	Lower Condensate Collecting Tray	1
11	4140.215	Top Tray	2
12	4140.216	Condenser	1
13	4140.217	Motorfan Guard	1
14	4140.218	Motorfan	1
15	4140.219	Wheel	2
16	4140.220	Compressor	1
17	4140.221	Compressor Starting Group	1
18	4140.222	Refrigerant Filter With Capillary	1
19	4140.223	Tank	1

Pos.	Code	Description	Q-ty
20	4140.224	Float	1
22	4140.226	Power Cord	1
23	4140.227	Microswitch	1
24	4140.228	Air Filter	1
25	4140.229	Filter Holder	1
26	4140.230	Thermostat With Hot Gas	1
27	4140.231	Solenoid Valve	1
28	4140.232	Handle	1
29	4140.158	Hours Counter	1
30	4140.233	Pipe Handle	2
31	4140.234	Foot	2
34	S/R	Back Panel	1
35	S/R	Upper Base	1
36	S/R	Lower Base	1
37	S/R	Support Corner	2
38	S/R	Vertical Panel	1
39	4140.242	Air Filter Frame	1
40	4140.243	Capacitor	1
41	S/R	Support Evaporator	1
not shown	4140.225	Inside Cabling	1
not shown	4140.235	Wheel Axle	1

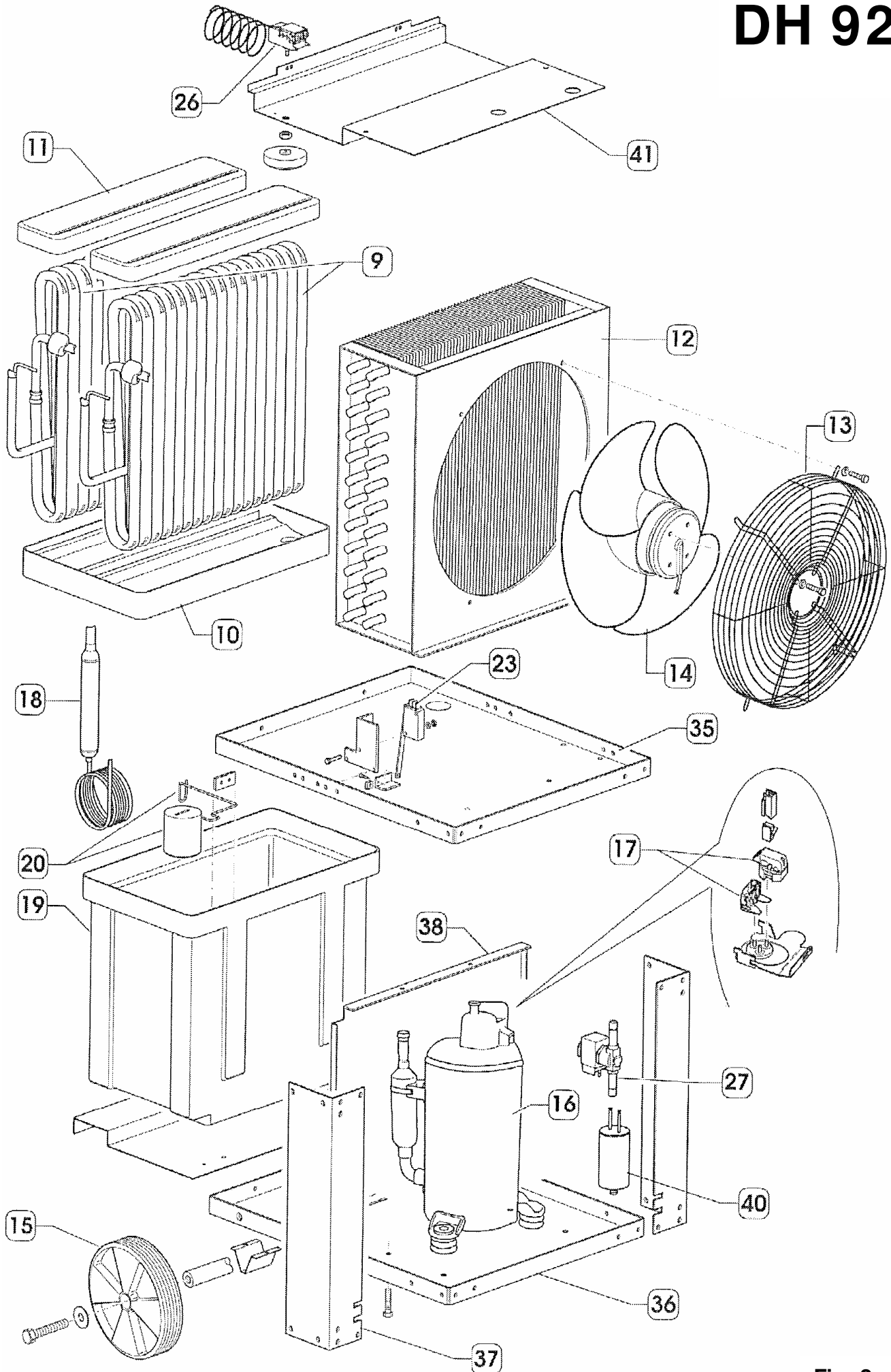


Fig. 2

MASTER
www.master.sklep.pl

www.master.sklep.pl
kontakt: www.master.sklep.pl/kontakt