

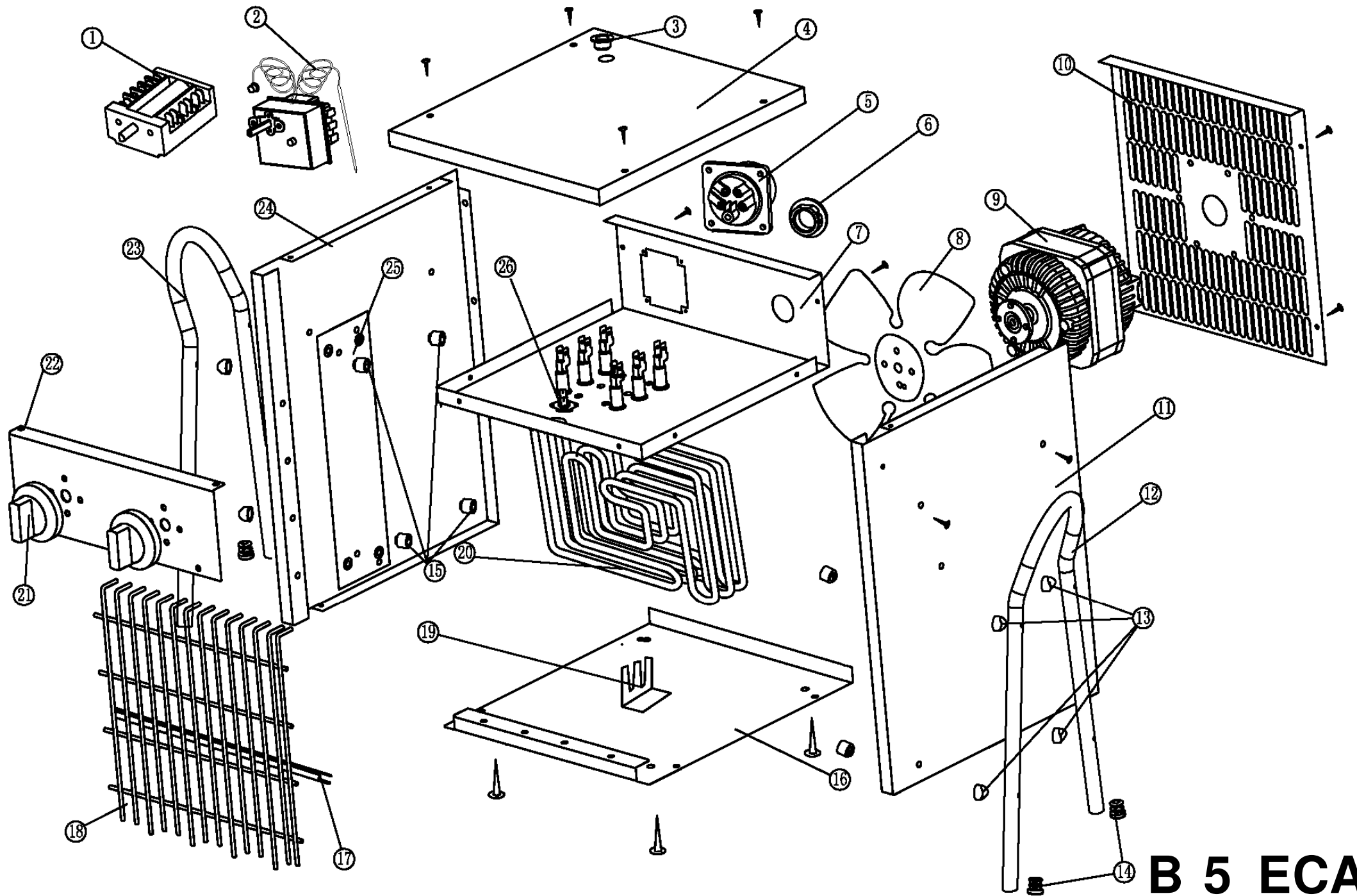


Master B5ECA

schemat

www.master.sklep.pl

kontakt: www.master.sklep.pl/kontakt



B 5 ECA

MASTER ELECTRIC HEATERS B 5 ECA

Pos.	COD.	DESCRIPTION
1	4615.219	Switch
2	4615.221	Thermostat Control
3	S/R	Top Panel Cap
4	S/R	Top Panel
5	4615.220	Plug
6	4615.217	Bushing
7	S/R	Middle Panel
8	4615.215	Fan
9	4615.218	Motor
10	S/R	Back Side Cover
11	S/R	Right Side Panel
12	S/R	Right Handle
13	S/R	Handle Srew Cap
14	S/R	Handle Cap
15	S/R	Nut
16	S/R	Bottom Panel
17	S/R	Thermostat Strip
18	S/R	Grille
19	S/R	Fixed For Heating Element
20	4615.216	Heating Element
21	4615.207	Knob
22	S/R	Control Panel
23	S/R	Left Handle
24	S/R	Left Side Panel
25	S/R	Thermal Cover
26	4615.223	Self-Resetting Thermal Cut-Out

S/R = Parts available by special request only

MASTER
www.master.sklep.pl

www.master.sklep.pl
kontakt: www.master.sklep.pl/kontakt