

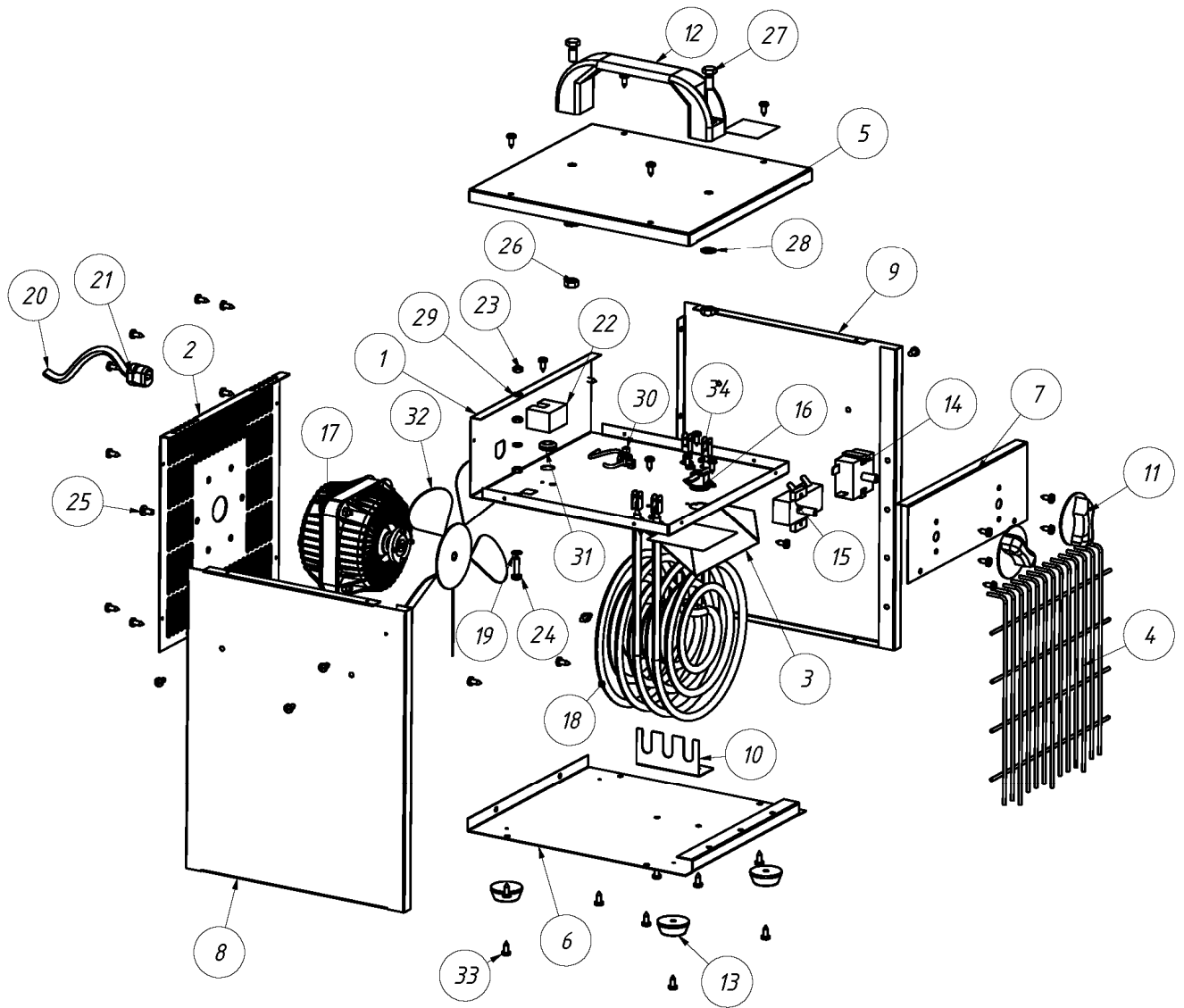
MASTER
www.master.sklep.pl

Master B2EPB

schemat

www.master.sklep.pl

kontakt: www.master.sklep.pl/kontakt



MASTER ELECTRIC HEATERS B 2 EPB 2kW

Pos.	Description	Code	Qty.
1	SHELF	S/R	1
2	BACK COVER	S/R	1
3	DEFLECTOR	S/R	1
4	GRILL	4511.240	1
5	TOP COVER	S/R	1
6	DOWN COVER	S/R	1
7	FRONT PANEL	S/R	1
8	RIGHT SIDE COVER	S/R	1
9	LEFT SIDE COVER	S/R	1
10	HEATING ELEMENT BRACKET	4511.221	1
11	KNOB 44mm	4510.610	2
12	HANDLE	4510.601	1
13	RUBBER LEG	4510.607	4
14	ROTARY SWITCH 16A/400V	4510.401	1
15	BIMETALLIC THERMOSTAT 16A/250V 5-75oC	4510.403	1
16	OVERHEAT THERMOSTAT 16A/250V 80oC	4510.449	1
17	MOTOR 5W/230V	4510.301	1
18	HEATING ELEMENT 1000W/230V	4510.367	2
19	TOOTHED LOCK WASHER A4.3	4510.811	1
20	POWER CORD WITH PLUG	4510.428	1
21	STRAIN RELIEF BUSHING	4510.605	1
22	SCREW TERMINAL BLOCK	4510.421	1
23	HEXAGON NUT M4	4510.808	3
24	SCREW M4X16	4510.828	1
25	SCREW M4X8	4510.814	3
26	HEXAGON NUT M6	4510.830	2
27	HEXAGON HEAD SCREW M6X16	4510.829	2
28	SPRING LOCK WASHER	4510.831	2
29	SPRING LOCK WASHER	4510.810	3
30	BELT	4510.608	2
31	SEAL WIRE	4511.621	1
32	FAN 170/28	4510.316	1
33	TAPPING SCREW ST3,5X9,5	4510.847	41
34	TAPPING SCREW ST3.9X9.5 RED	4510.802	4

S/R = Parts Available On Special Request Only

MASTER
www.master.sklep.pl

www.master.sklep.pl
kontakt: www.master.sklep.pl/kontakt